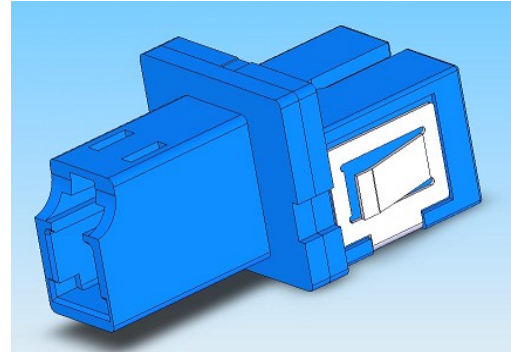


DESCRIPTION / FEATURES:

- The simplex LC-SC Hybrid adapter is designed with secure SC panel mount latching mechanism compatible with T.I.S FOCIS 10B.
- The LC-SC Hybrid adapters are available with Phosphor Bronze for MM and SM applications.
- Standard color: Blue
- Provides superior and reliable connection between SC and LC connector types.
- Panel mountable using standard SC footprint.



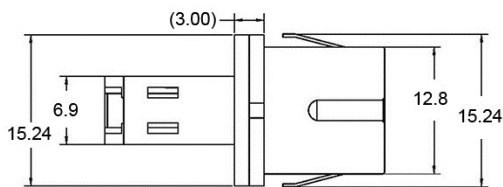
PERFORMANCE / RELIABILITY:

- Meets UL 94 V-0
- RoHS Compliant
- Durability: 200 Cycles
- Mating durability change $\leq 0.5\text{dB}$
- Operating temperature: $-40 +75\text{ }^\circ\text{C}$
- Temperature stability $\leq 0.30\text{dB}$ (1300nm & 1550nm)

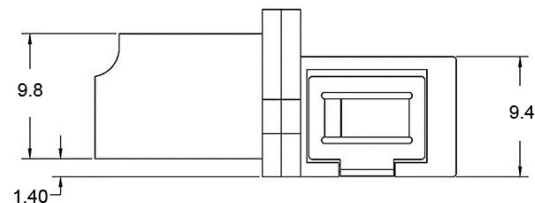
ORDERING PART NUMBER:

P/N	Description	Sleeve Type	Housing Color	Product Status
OG2LC2-SBW	LC-SC Simplex Adapter	SM PhBz	Blue	Stock
OG2LC2-SEW	LC-SC Simplex Adapter	SM PhBz	Beige	Custom

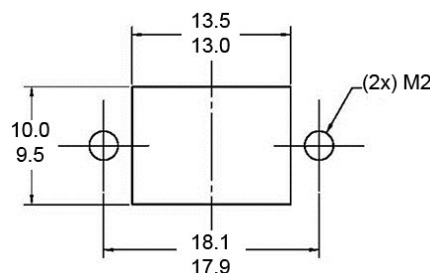
PRODUCT DIMENSIONS:



TOP VIEW



SIDE VIEW



PANEL CUTOUT