



# FC Adaptor Specification

October 08, 2009



REV	REV HISTORY	CHKD	APRVD	DATE
A	Initial	TR3	TR3	10/08/09

Yazaki North America, Inc.  
 Y-connect Operations  
 1000 Kreider Dr, Suite 700  
 Middletown, PA 17057  
 Tel: 717-944-7144  
<http://www.y-connect.com>



## Description

Y-Connect FC-compatible adapters are comprised of a metal outer body and inner assembly fitted with a precision alignment mechanism. These adaptors are precision made and manufactured to demanding specifications. The combination of a ceramic or phosphor bronze alignment sleeves and precision metal housing provides consistent long-term mechanical and optical performance.

## Application

- Telecommunication
- CATV
- LAN & WAN
- Network
- Broadband
- FTTP

## Features

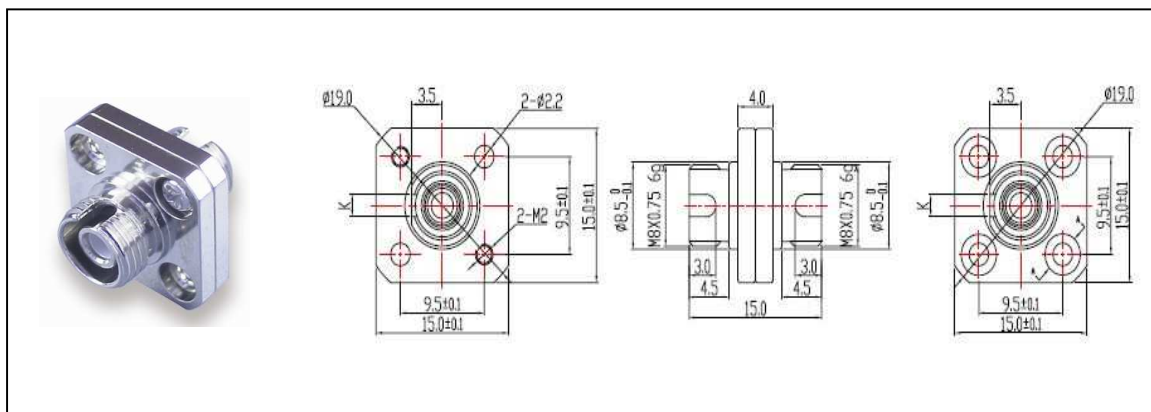
- Available in Square and D-shaped mount
- Metal Body for long life more than 1000 matings
- Screw-type locking stable and reliable
- D-shaped easily installs into panel mount
- Compliant with JIS5970 and Telcordia GR-326
- Compliant with IEC874-7
- All parts compliant with ROHS

## Parameter

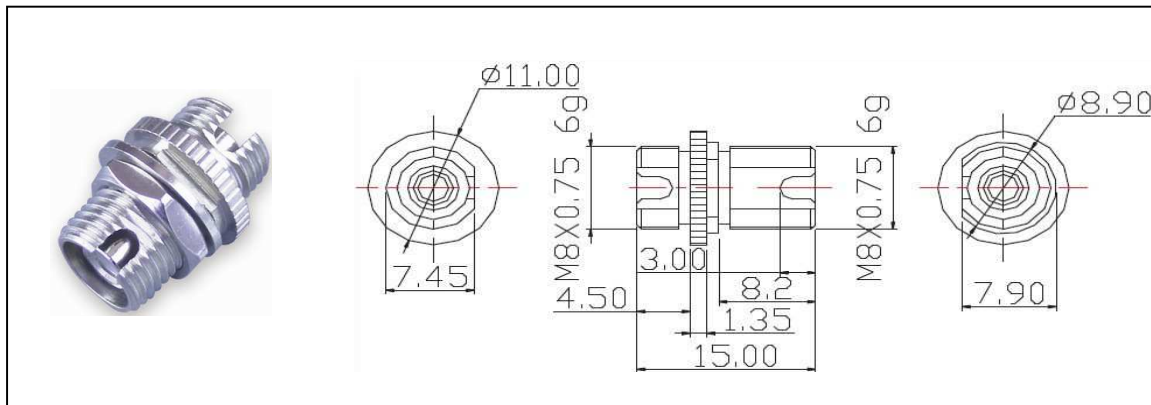
Item	Parameter
Insertion Loss	≤0.2dB
Durability (500 Mating)	0.2dB Max Increase
Withdrawal Force (g/f)	200~600
Operating Temperature	-40℃ ~+85℃



## Appearance & Dimension



**Figure 1 - FC Square Adaptor**



**Figure 2 - FC D Adaptor**



## Order Information

Item	Shape	Key	Sleeve	Cap Color
FC/PC	Square	2.2	Ceramic(ZrO2)	White
FC/APC	Square	2.2	Ceramic(ZrO2)	Green
FC/PC	D1	2.2	Ceramic(ZrO2)	White
FC/APC	D1	2.2	Ceramic(ZrO2)	Green
FC/PC	Square	2.2	(PB/MM)	White
FC/PC	D1	2.2	(PB/MM)	White