



FC Connector Specification



REV	REV HISTORY	CHKD	APRVD	DATE
1	Initial	TR	MN	02/08/10

Yazaki North America, Inc.
 Y-connect Operations
 1000 Kreider Dr, Suite 700
 Middletown, PA 17057
 Tel: 717-944-7144
<http://www.y-connect.com>



Description

FC/PC connector is available in both single-mode and multimode versions, and is fully intermateable with Telcordia requirements. Both single-mode and multimode versions come with a zirconia ceramic ferrule with pre-polished PC profile and convex spherical end. These end face types allow for faster polishing, and low back reflection and optical loss, while ensuring maximum repeatability.

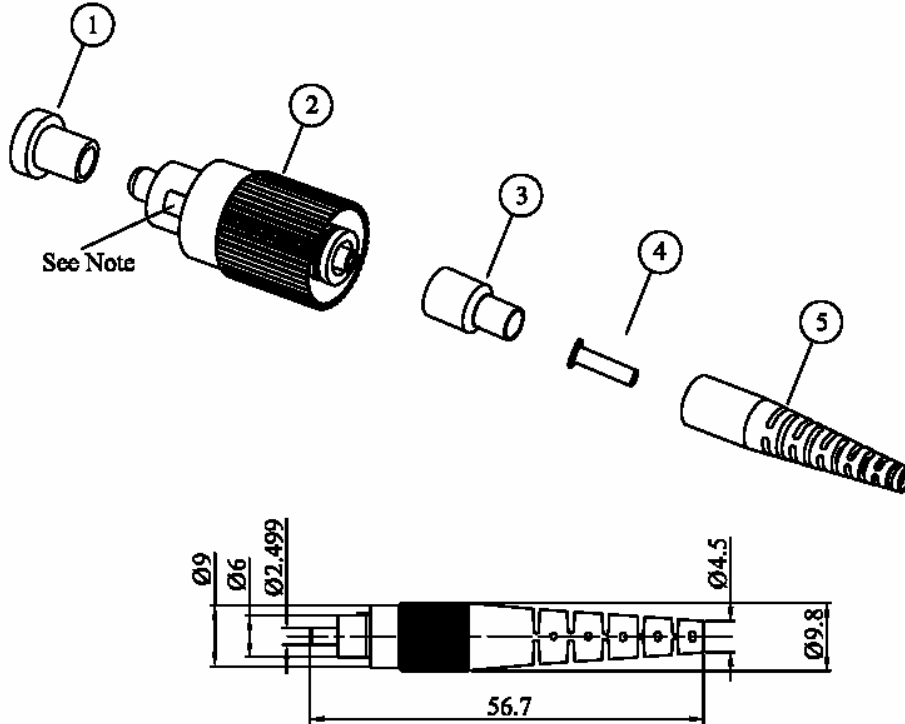
FC/APC connector is fully compatible with APC hardware, featuring a very high tolerance anti-rotation key for consistent performance. All Y-Connect FC/APC connectors come with a zirconia ceramic ferrule.

Features

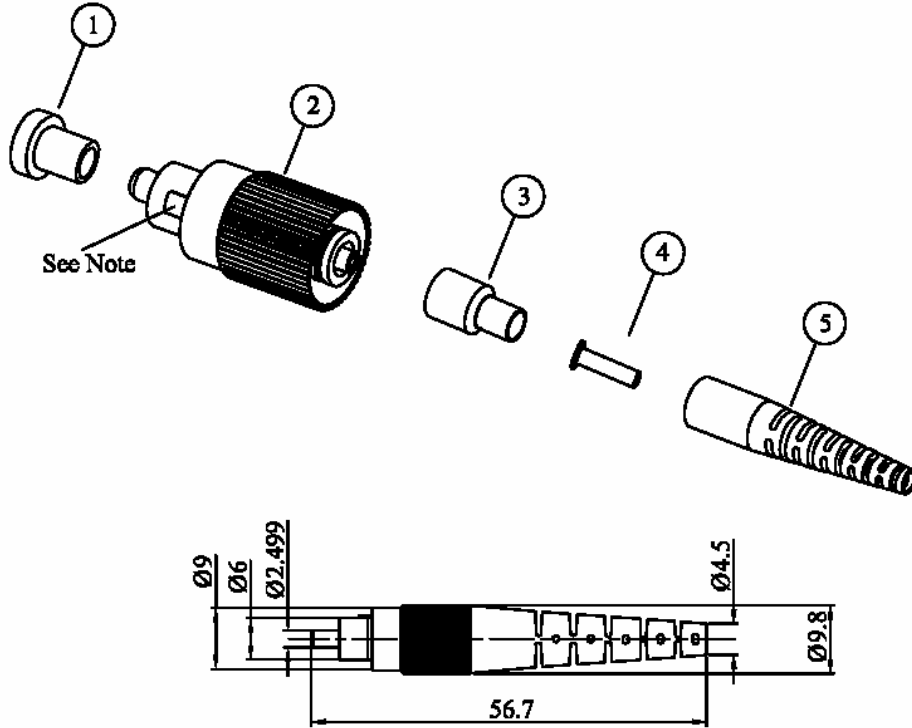
- Precision mechanical dimension
- One Piece with pre-domed ceramic ferrule is designed
- For fast easy assembly and polishing
- Low insertion loss
- Ultra low back reflection
- Corrosion resistant body
- For 3.0mm, 2.0mm jacket or 900 m buffer
- Compatible with APC hardware
- Free-floating APC ceramic ferrule
- Compliant with IEC61754-13
- Compliant with Telcordia GR-326-CORE
- All parts Compliant with ROHS

Applications

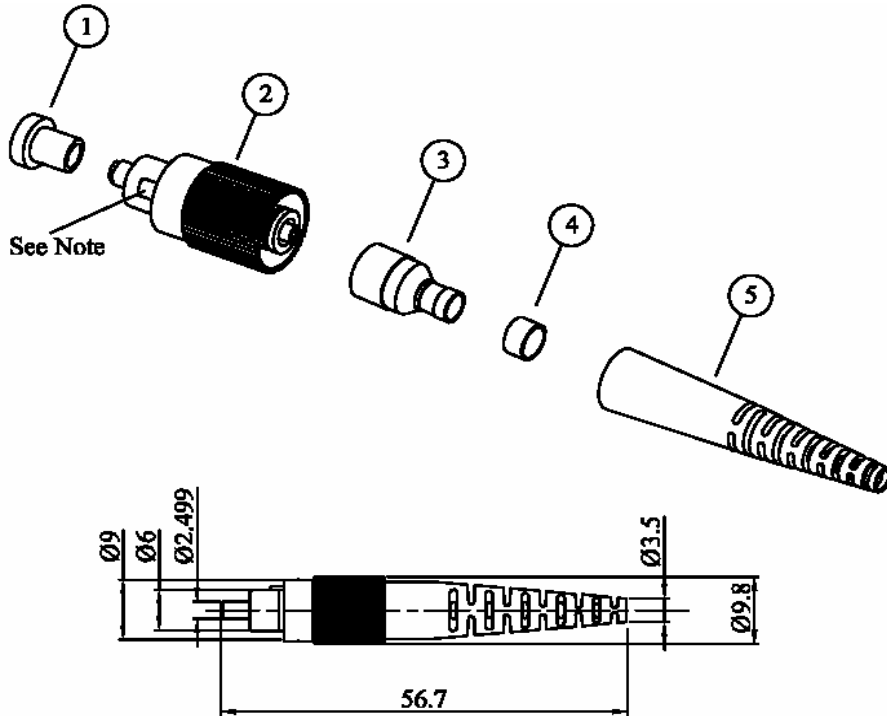
- CATV
- LAN & WAN
- Network
- FTTP



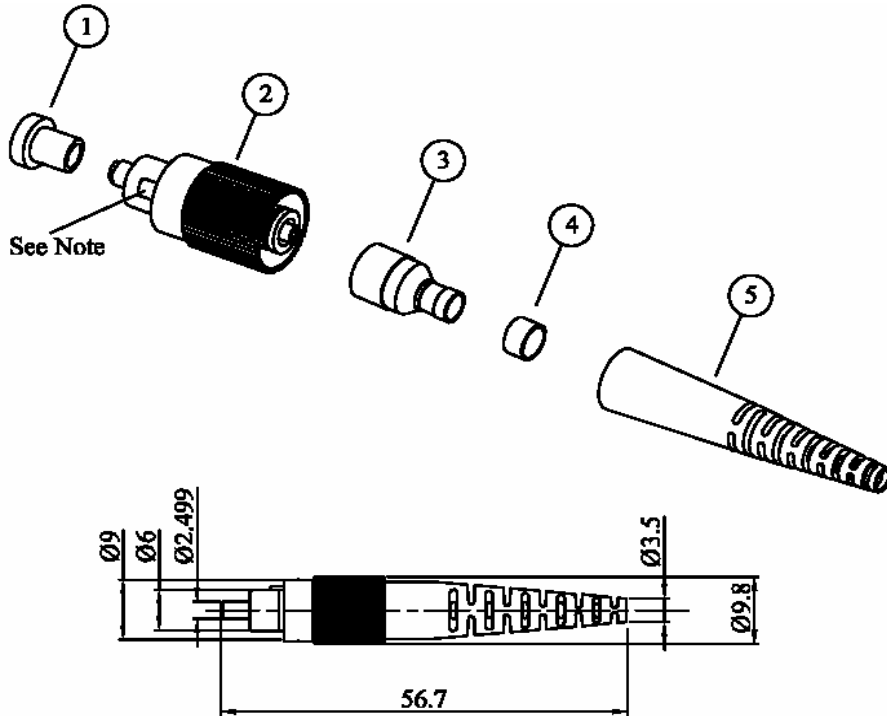
Description	FC Connector, "S" Type, 2 mm			
P/N	OG1FC1-a1b1 a Ferrule Hole Diameter and Type b Boot Color			
Item	Description	Qty	Material	Note
1	Dust Cap	1		
2	Connector Assembly	1		
3	Crimp Eyelet	1	Metal	
4	Spacer	1	Metal	
5	Boot	1		



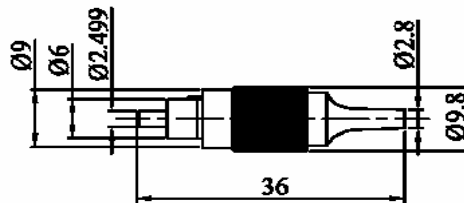
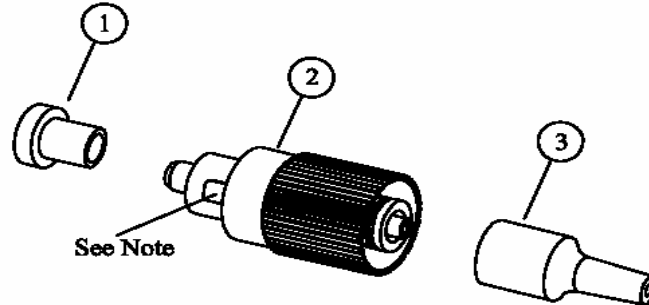
Description		FC Connector, "S" Type, 3 mm		
P/N		OG1FC1-<u>a</u>3<u>b</u>1 a Ferrule Hole Diameter and Type b Boot Color		
Item	Description	Qty	Material	Note
1	Dust Cap	1		
2	Connector Assembly	1		
3	Crimp Eyelet	1	Metal	
4	Spacer	1	Metal	
5	Boot	1		



Description	FC Connector, "R" Type, 2 mm			
P/N	OG1FC3-<u>a</u>1<u>b</u>1 a Ferrule Hole Diameter and Type b Boot Color			
Item	Description	Qty	Material	Note
1	Dust Cap	1		
2	Connector Assembly	1		
3	Crimp Eyelet	1	Metal	
4	Crimp Ring	1	Metal	
5	Boot	1		



Description	FC Connector, "R" Type, 3 mm			
P/N	OG1FC3-<u>a</u>3<u>b</u>1 a Ferrule Hole Diameter and Type b Boot Color			
Item	Description	Qty	Material	Note
1	Dust Cap	1		
2	Connector Assembly	1		
3	Crimp Eyelet	1	Metal	
4	Crimp Ring	1	Metal	
5	Boot	1		



Description	FC Connector, 900µm			
P/N	P/N OG1FC1-a4b1 a Ferrule Hole Diameter and Type b Boot Color			
Item	Description	Qty	Material	Note
1	Dust Cap	1		
2	Connector Assembly	1		
3	Boot	1		



Part Number Key			
Ferrule Hole Diameter and Type		Boot Color	
A	125.5µm, Singlemode	B	Blue
B	125µm, Singlemode	B	Blue
C	126µm, Singlemode	B	Blue
E	127µm, Multimode	W	White
H	126µm, Stepped, APC	G	Green

Note: Key width 2.0 ± 0.05 mm