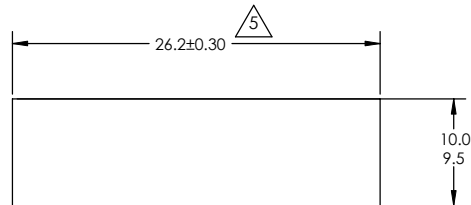
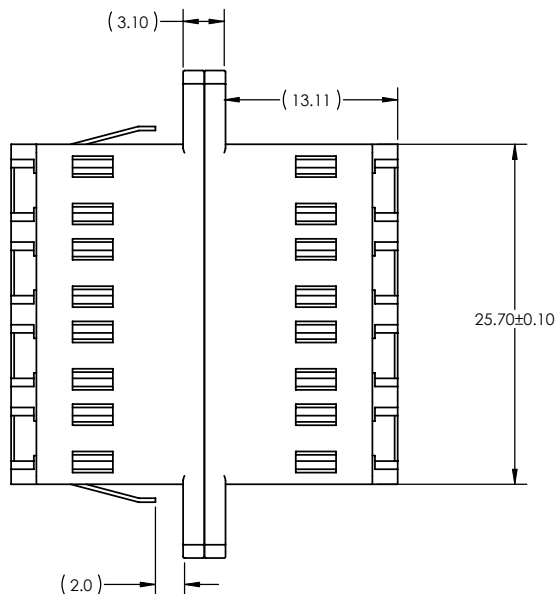
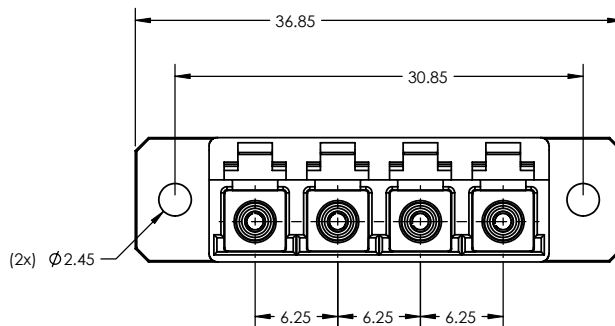
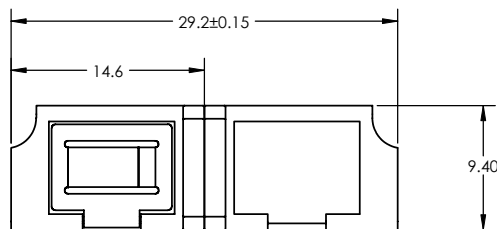
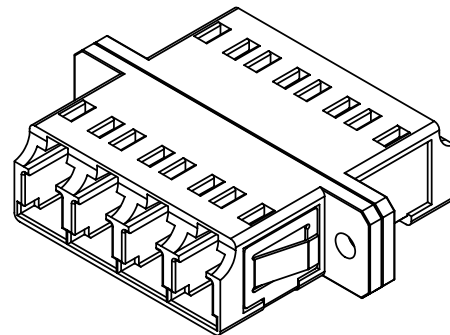


THIS DRAWING IS A CONTROLLED DOCUMENT FOR YAZAKI CORPORATION. IT IS SUBJECT TO CHANGE AND THE CONTROLLING ENGINEERING ORGANIZATION SHOULD BE CONTACTED FOR THE LATEST REVISION.

THIRD ANGLE PROJECTION



RECOMMENDED PANEL CUT-OUT DIMENSIONS



PART NUMBER IDENTIFICATION

OG2LG2 - $\frac{X}{a}$ $\frac{X}{b}$ $\frac{X}{c}$ *

- a. No. OF LC CONNECTOR PORTS
2 = 4 PORT
- b. ADAPTER COLOR
B = BLUE, SM
G = GREEN, APC
E = BEIGE, MM
- c. ALIGNMENT SLEEVE
C = CERAMIC, ZIRCONIA
M = METAL, PHOSPHOR BRONZE (MM)

NOTES:

1. SEE LC SPECIFICATION (OCD-EE-401-2) FOR ADAPTER FEATURE AND PERFORMANCE DETAILS.
2. HOUSING MATERIAL: UL94-VO RATED.
3. ADAPTER SHIPPED w/ WHITE CAPS IN BOTH ENDS. (NOT SHOWN)
4. "***" AT END OF PART NUMBER INDICATES A SPECIAL.

$\triangle 5$ 4-PORT ADAPTER CAN BE USED IN SC DUPLEX CUTOUT (26.0-26.5mm).



					DIMS in mm		YAZAKI		Y-connect Operations Middletown, PA 17057	
-	-	-	-	-	PRIMARY TOLERANCES UNLESS OTHERWISE SPECIFIED		MATERIAL	-	HEAT TREAT	FINISH
-	-	-	-	-	0 PLC	±	-	-	-	-
-	-	-	-	-	1 PLC	±	-	-	-	-
-	-	-	-	-	2 PLC	±	-	-	-	-
-	-	-	-	-	3 PLC	±	-	-	-	-
1	INITIAL DRAWING	10/29/08	JM	MP	4 PLC	±	-	-	-	-
LTR	REVISION RECORD	DATE	DWN	APVD	ANGLES	±	-	-	-	-
							SCALE: 2:1	SIZE: C	DRAWING NO: OG2LG2	SHEET: 1 OF 1

CUSTOMER