

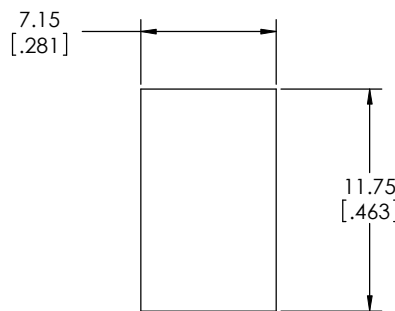
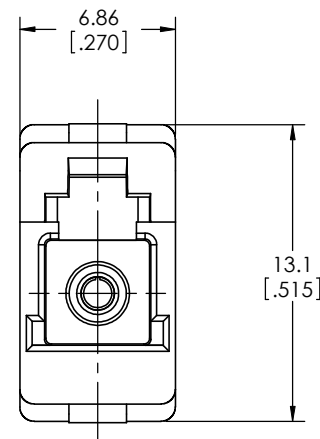
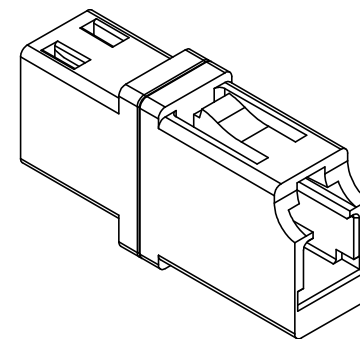
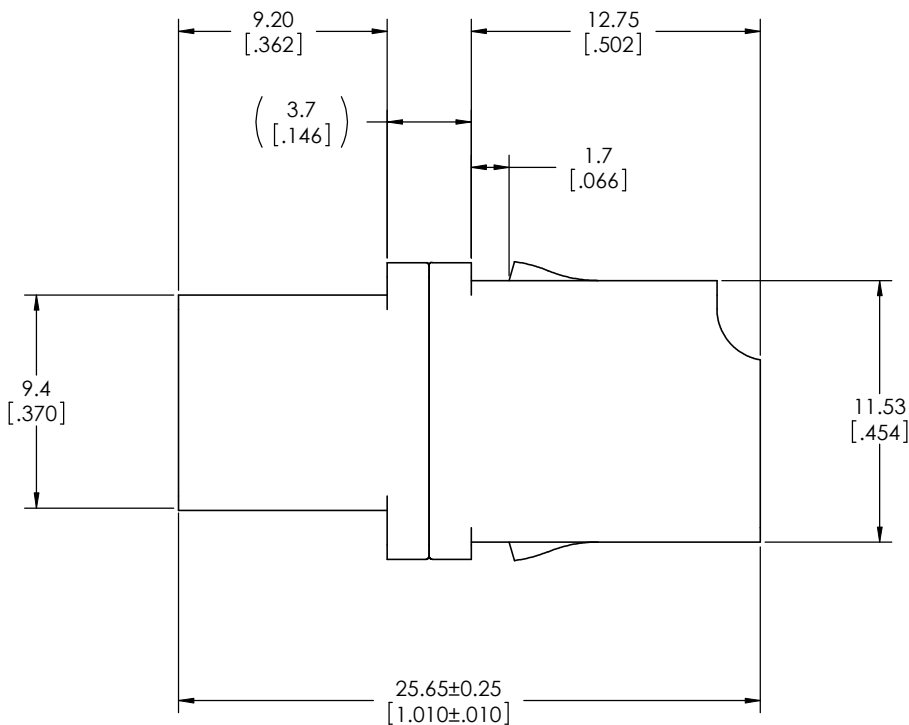
4

3

2

1

THIRD ANGLE PROJECTION



RECOMMENDED PANEL CUTOUT

PART NUMBER IDENTIFICATION

OG2LL8 - $\frac{x}{a} \frac{x}{b} \frac{x}{c}$

- a. ALIGNMENT SLEEVE:
C = CERAMIC, ZIRCONIA
M = METAL
- b. HOUSING COLOR:
B = BLUE (SINGLEMODE)
E = BEIGE (MULTIMODE)
G = GREEN (APC)
- c. DUST CAPS:
W = WHITE

NOTES:

1. THE DETAIL TO THE RIGHT LABELED "RECOMMENDED PANEL CUTOUT" SHOWS RECOMMENDED DIMENSIONS FOR PANEL CUTOUTS FOR THE SIMPLEX ADAPTER.
2. ADAPTER TO BE SUPPLIED WITH DUST CAPS (NOT SHOWN); SEE PART NUMBER I.D.
3. HOUSING MATERIAL; ENGINEERING PLASTIC; UL94V-0 RATED.



DIM'S in mm [INCH]				
-	-	-	-	-
-	-	-	-	-
-	-	-	-	-
-	-	-	-	-
-	-	-	-	-
0	PLC	±	0.1	
1	PLC	±	0.1	
2	PLC	±	0.05	
3	PLC	±	-	
4	PLC	±	-	
○	RELEASED PER NDR#	E0006-10	5/12/10	JM JM
LTR	REVISION RECORD	DATE	DWN	APVD
		ANGLES	±	2°

YAZAKI			Y-connect Operations Middletown, PA 17057	
MATERIAL	HEAT TREAT	FINISH		
DRAWN J. MILLER	APPROVED J. MILLER			
NAME LC ADAPTER, SIMPLEX				
SCALE 5:1	SIZE C	DRAWING NO OG2LL8	SHEET 1 OF 1	REV

CUSTOMER

4

3

2

D

C

B

A

C

B

A

THIS DRAWING IS A CONTROLLED DOCUMENT FOR YAZAKI INCORPORATED. IT IS SUBJECT TO CHANGE AND THE CONTROLLING ENGINEERING ORGANIZATION SHOULD BE CONTACTED FOR THE LATEST REVISION.