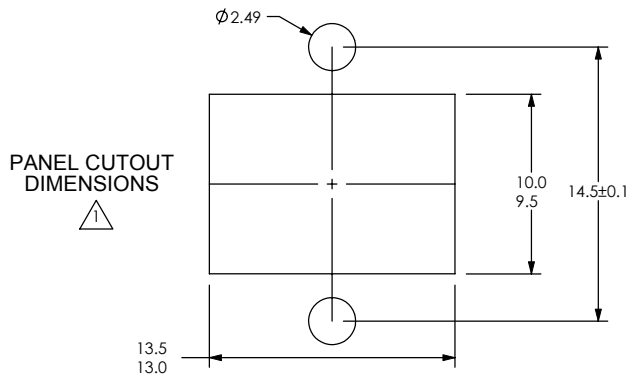
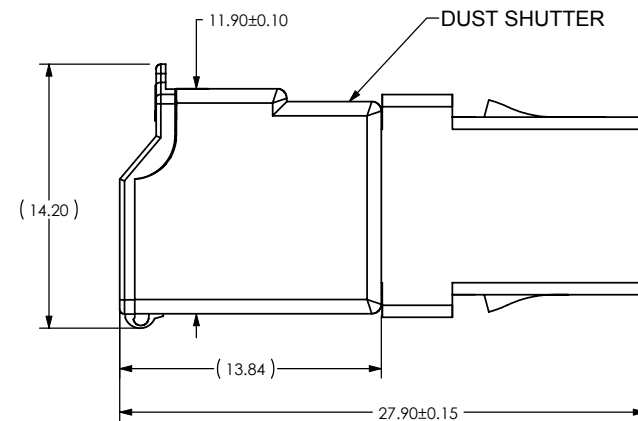
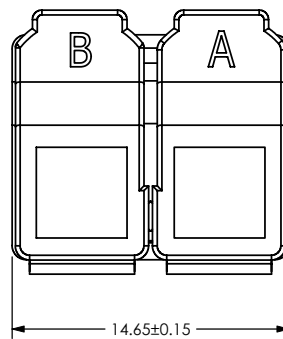
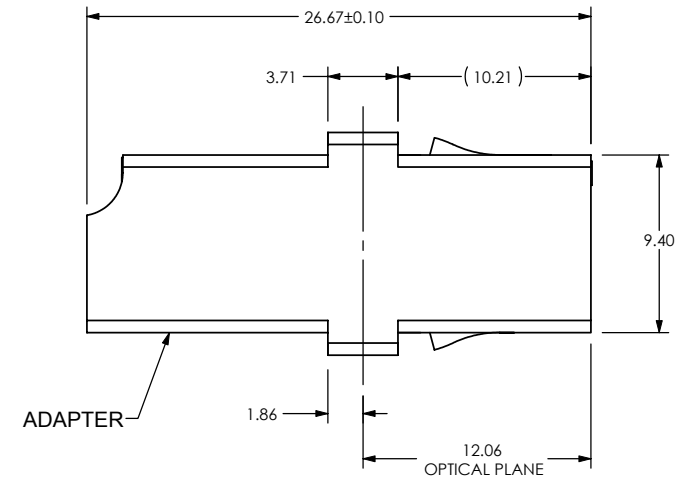
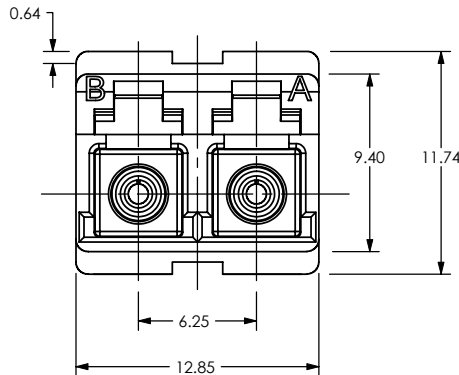


THIRD ANGLE PROJECTION

**PART NUMBER IDENTIFICATION**

**OG2LL4 - X X X**  
a b c

- a. ALIGNMENT SLEEVE  
C = CERAMIC, ZIRCONIA  
M = METAL, PHOSPHOR BRONZE
- b. ADAPTER COLOR  
B = BLUE, SM  
G = GREEN, APC (SM)  
E = BEIGE, MM  
Q = AQUA, MM, LASER OPTIMIZED
- c. DUST COVER TYPE & COLOR  
W = WHITE CAPS ONLY (NO SHUTTER)  
B = BLUE SHUTTER + WHT CAPS  
G = GREEN SHUTTER + WHT CAPS  
E = BEIGE SHUTTER + WHT CAPS  
K = BLACK SHUTTER + WHT CAPS  
Q = AQUA SHUTTER + WHT CAPS



- 1. SEE LC SPECIFICATION (OCD-EE-401-2) FOR ADAPTER FEATURES, PERFORMANCE DETAILS AND RECOMMENDED PANEL CUTOUT DIMENSIONS.
- 2. HOUSING MATERIAL: UL94-VO RATED.
- 3. ADAPTERS SUPPLIED WITH DUST CAPS INSTALLED (NOT SHOWN). QTY = 2 w/ SHUTTER, QTY = 4 w/ NO SHUTTER.
- 4. ADAPTERS w/ SHUTTERS SHIPPED w/ DOORS CLOSED.
- 5. DUST SHUTTERS PROVIDE EYE PROTECTION FOR CLASS IIIA OR LOWER LASERS.
- 6. FOR MULTI-PORT ADAPTERS (QUAD & LARGER), SEE OG2LG.



DIMENSIONS		TOLERANCES		UNIT	
0	PLC	±	-	mm	
1	PLC	±	-	mm	
2	PLC	±	0.05	mm	
3	PLC	±	-	mm	
4	PLC	±	-	mm	
	ANGLES	±	-	deg	

LTR	REVISION RECORD	DATE	DWN	APVD

**YAZAKI** Y-connect Operations  
Middletown, PA 17057

MATERIAL	HEAT TREAT	FINISH	SEE P/N
SEE NOTE			
DRAWN	M. PERHACS 2-14-07	APPROVED	N. LAMPERT 2-20-07
NAME			
LC ADAPTER ASSY, SLIMLINE			
VERTICAL FLANGE			
SCALE	1:0.2	DRAWING NO	OG2LL4
SIZE	C	SHEET	1 OF 1

CUSTOMER