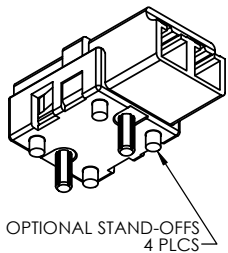
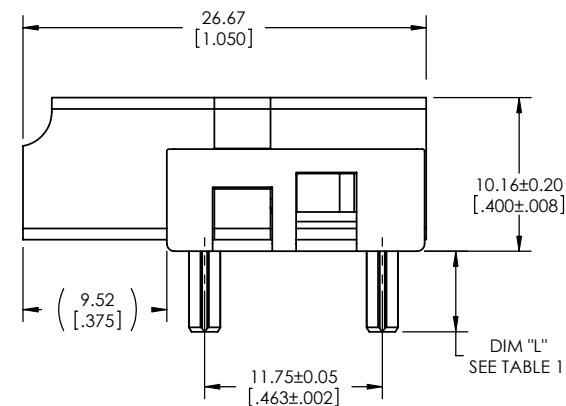
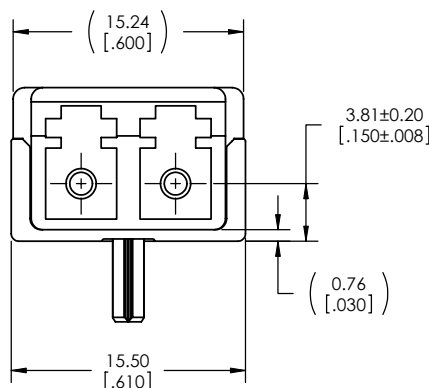
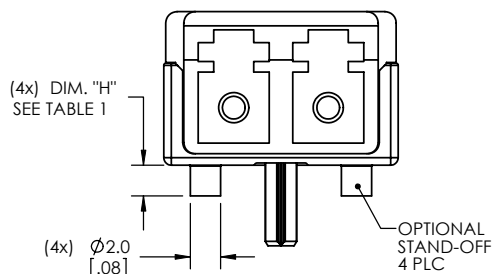


THIS DRAWING IS A CONTROLLED DOCUMENT FOR YAZAKI AND IS NOT TO BE REPRODUCED, COPIED, OR TRANSMITTED IN ANY FORM OR BY ANY MEANS, ELECTRONIC OR MECHANICAL, WITHOUT THE WRITTEN PERMISSION OF YAZAKI. IT IS SUBJECT TO CHANGE AND THE CONTROLLING ENGINEERING ORGANIZATION SHOULD BE CONTACTED FOR THE LATEST REVISION.

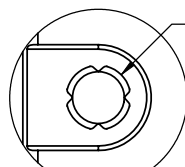
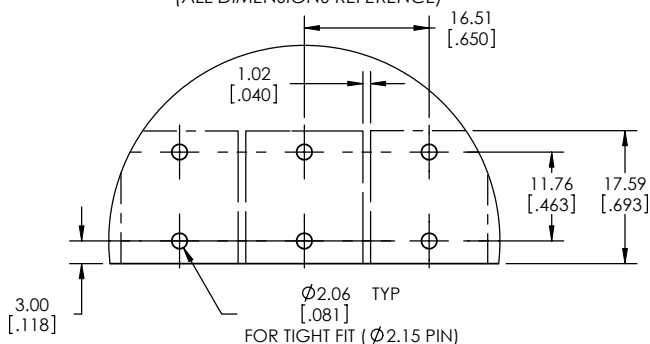
THIRD ANGLE PROJECTION



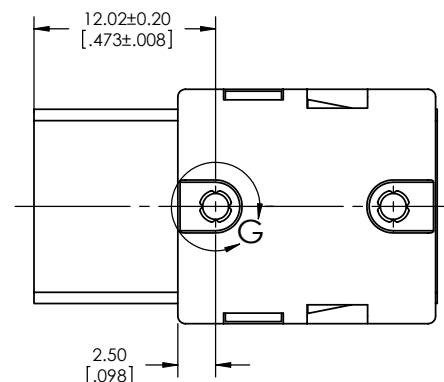
PCB ADAPTER WITH OPTIONAL STAND-OFFS



BOARD LAYOUT EXAMPLE
(ALL DIMENSIONS REFERENCE)



DETAIL G
PIN TYPE: TIGHT FIT

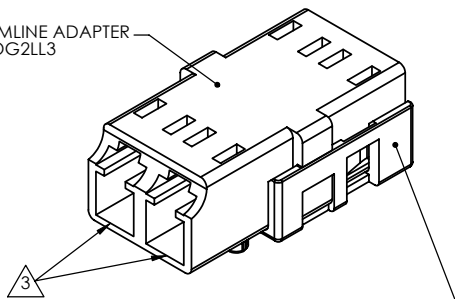


PART NUMBER IDENTIFICATION

OG2LB3 - X X XXX X
a b c d

- a. ADAPTER COLOR:
B = BLUE
G = GREEN
E = BEIGE
K = BLACK
Q = AQUA
- b. ADAPTER SLEEVE TYPE:
C = CERAMIC, ZIRCONIA
M = METAL, PHOSPHOR BRONZE, MM
- c. PIN PARAMETERS (SEE TABLE 1 FOR DETAILS)
- d. STAND-OFF HEIGHT (DIM "H")
<blank> = NO STAND-OFF
A = 2.03mm [.080"]

LC SLIMLINE ADAPTER
P/N: OG2LL3



PATENT PENDING

**CONFIDENTIAL
YAZAKI PROPRIETARY**

NOTES:

1. SEE LC SPECIFICATION (OCD-EE-401-2) FOR LC ADAPTER FEATURES, PERFORMANCE, AND PANEL CUT-OUT DETAILS.
 2. ADAPTER & BRACKET MATERIAL: UL94-V0 RATED.
- △ CONNECTOR SUPPLIED WITH (4) WHITE DUST CAPS (NOT SHOWN).
- △ CONTACT SALES ASSOCIATE FOR OTHER POSSIBLE PIN TYPES.

TABLE 1 △

PIN	DIM. ϕD	DIM. "L"	FIT TYPE
A01	2.15 [.084"]	1.55 [.061"]	HIGH INTERFERENCE
A02	2.15 [.084"]	5.33 [.210"]	HIGH INTERFERENCE
A03	2.15 [.084"]	4.45 [.179"]	HIGH INTERFERENCE



DIMS in mm [INCH]	
0 PLC	± -
1 PLC	± -
2 PLC	± .10 [.004]
3 PLC	± -
4 PLC	± -
ANGLES	± -

		Y-connect Operations Middletown, PA 17057			
		MATERIAL	HEAT TREAT	FINISH	
DRAWN	JJM	10/12/07	APPROVER	MP	10/12/07
NAME				LC PCB ADAPTER, SLIMLINE DUPLEX HORIZONTAL MOUNT	
SCALE	8:1	SIZE	C	DRAWING NO	OG2LB3
				SHEET	1 OF 1
				REV	

CUSTOMER