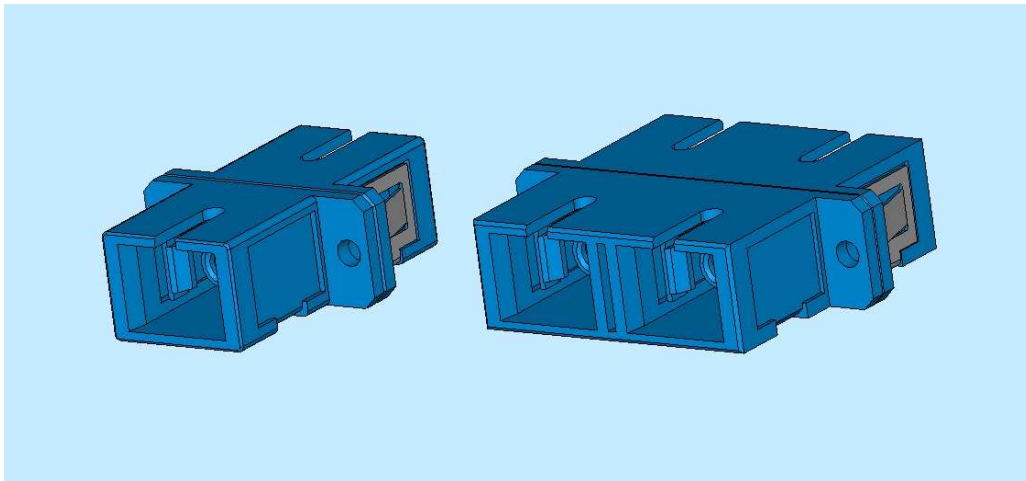


## SC Adapter Specification

November 17, 2009.



Yazaki North America, Inc.  
Y-connect Operations  
1000 Kreider Dr, Suite 700  
Middletown, PA 17057  
Tel: 717-944-7144  
<http://www.y-connect.com>

---

## Description

Y-connect offers a broad range of SC adapters. SC adapters are compliant with Telcordia, ANSI, TIA/EIA, NTT and JIS specifications. The latch performs well under high temperatures, maintaining plug retention strength.

Simplex and duplex adapters are available in plastic, with full flanges and reduced flanges, and in horizontal and vertical mount styles. All come with a choice of zirconia split sleeves (SM) or with phosphor bronze (MM) straight split sleeves. Housings are available in a variety of colors.

## Application

- Telecommunication
- CATV
- LAN & WAN
- Network
- Broadband
- FTTP

## Features

- Precision mechanical dimension
- Meets Telcordia, FOCIS 3 and JIS specifications
- Low insertion loss
- Low back reflection
- Corrosion resistant body
- UL, Rohs and REACH rated plastics

## Appearance & Dimensions

### 1. Appearance & Dimensions

Figure 1. SC Simplex Standard Flange

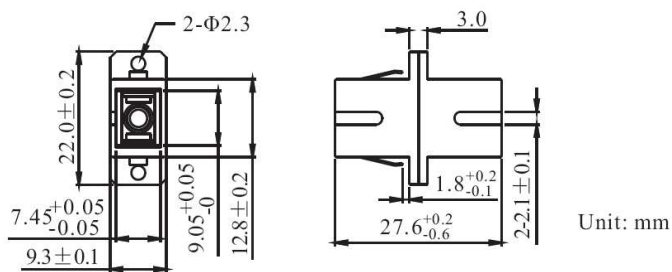
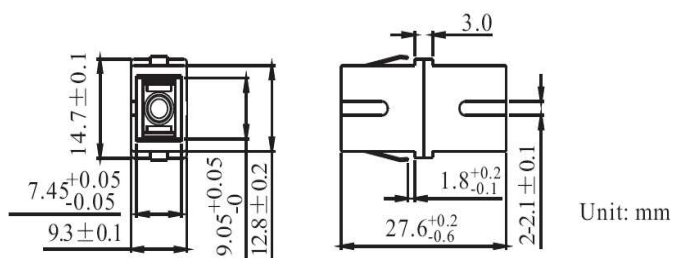
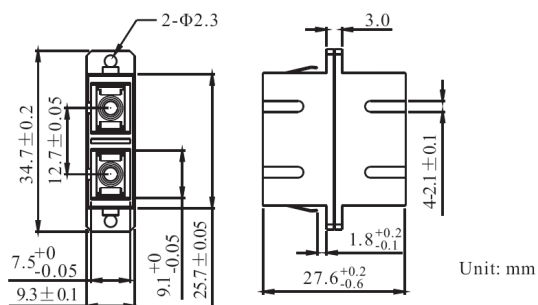


Figure 2. SC Simplex Reduced Flange



**Figure 3. SC Duplex Standard Flange**



**Figure 4. SC Duplex Reduced Flange**

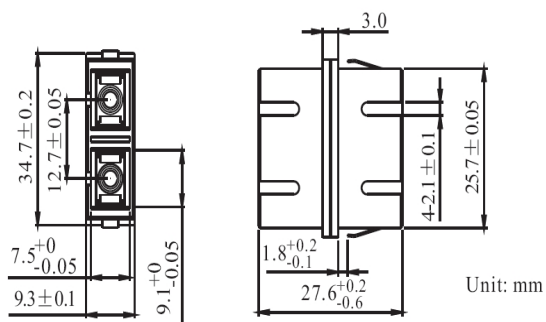
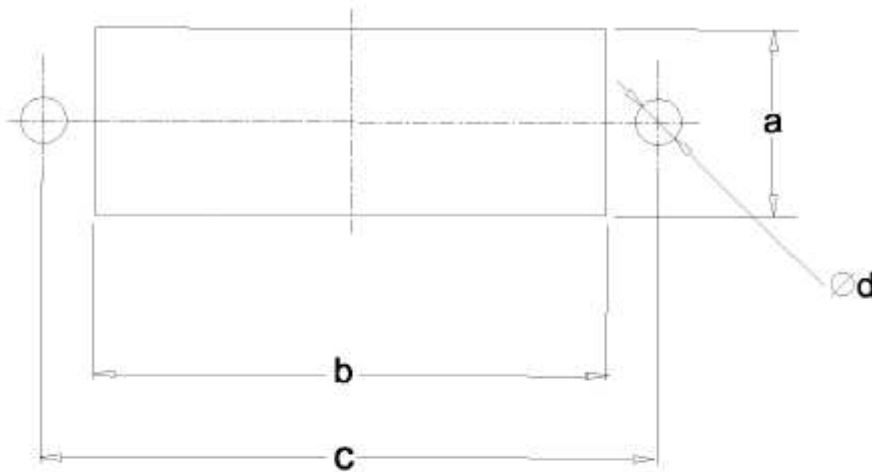


Figure 5. Mounting Options

Adapter Mounting Option		Type of mounting
Simplex	Duplex	
m=0	m=0	Unspecified Mounting
m=1	m=4	Panel mounting with either retention clips or fasteners
m=2	m=5	Panel mounting with fasteners only
m=3	m=6	Panel mounting with retention clips only


Figure 6. Mounting Dimensions

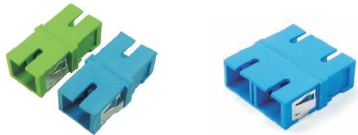


Simplex adapter mounting					
	Dimensions (mm)		Options		
	Min.	Max.	m=1	m=2	m=3
a	9.5	10.0	x	x	x
b	13.0	13.5	x	x	x
c	17.9	18.1	x	x	-
d	2.4	2.6	x	x	-
Panel Thickness	-	1.7	x	-	x

Duplex adapter mounting					
	Dimensions (mm)		Options		
	Min.	Max.	m=4	m=5	m=6
a	9.5	10.0	x	x	x
b	26.0	26.5	x	x	x
c	30.6	30.8	x	x	-
d	2.4	2.6	x	x	-
Panel Thickness	-	1.7	x	-	x

## Product Offering

SC Adapters – Full Flange			
		Part Numbers	Adapter Color
<b>Adapter Simplex</b>	MM	OG2CC1-NEK	Beige
	SM	OG2CC1-DBK	Blue
	APC	OG2CC1-DGG	Green
<b>Adapter Duplex</b>	MM	OG2CC3-NEK	Beige
	SM	OG2CC3-DBK	Blue
	APC	OG2CC3-DGG	Green

SC Adapters – Reduced Flange			
		Part Numbers	Adapter Color
<b>Adapter Simplex</b>	MM	OG2CC5-NEK	Beige
	SM	OG2CC5-DBK	Blue
	APC	OG2CC5-DGG	Green
<b>Adapter Duplex</b>	MM	OG2CC6-NEK	Beige
	SM	OG2CC6-DBK	Blue
	APC	OG2CC6-DGG	Green