



ST Adaptor Specification

October 08, 2009



REV	REV HISTORY	CHKD	APRVD	DATE
A	Initial	TR3	TR3	10/08/09

Yazaki North America, Inc.
 Y-connect Operations
 1000 Kreider Dr, Suite 700
 Middletown, PA 17057
 Tel: 717-944-7144
<http://www.y-connect.com>



Description

Y-Connect ST-compatible adapters are comprised of a metal outer body and inner assembly fitted with a precision alignment mechanism. These adapters are precision made and manufactured to demanding specifications. The combination of a ceramic or phosphor bronze alignment sleeves and precision metal housing provides consistent long-term mechanical and optical performance.

Application

- Telecommunication
- CATV
- LAN & WAN
- Network
- Broadband
- FTTP

Features

- Available for D-shaped and Rectangular mount
- Metal Body for long life more than 500 mating
- Twist-type locking stable and reliable
- D-shaped easily installs into panel mount
- Compliant with TIA/EIA 568A and Bellcore GR-326
- Compliant with IEC874-10
- All parts compliant with ROHS

Parameter

Item	Parameter
Insertion Loss	≤0.2dB
Durability (500 Mating)	0.2dB Max Increase
Withdrawal Force (g/f)	200~600
Operating Temperature	-40°C~+85°C



Appearance & Dimension

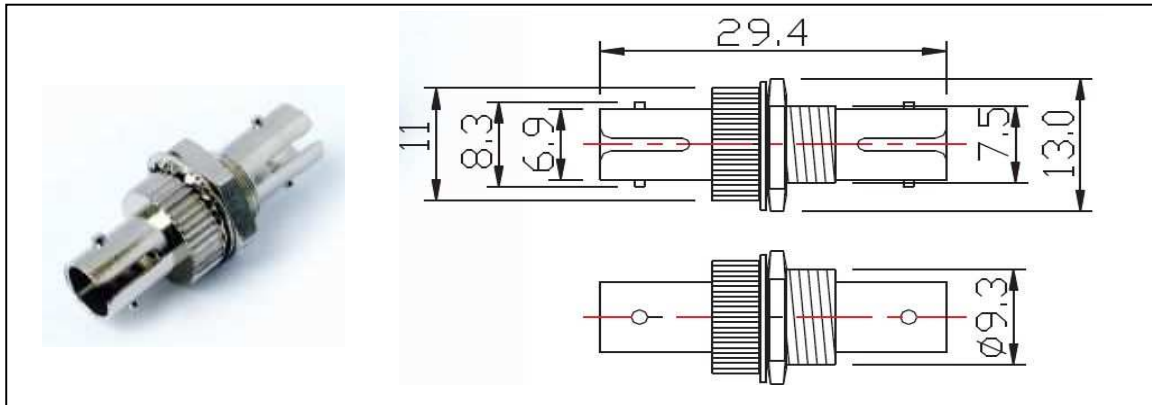


Figure 1 - ST D-Mount Adaptor

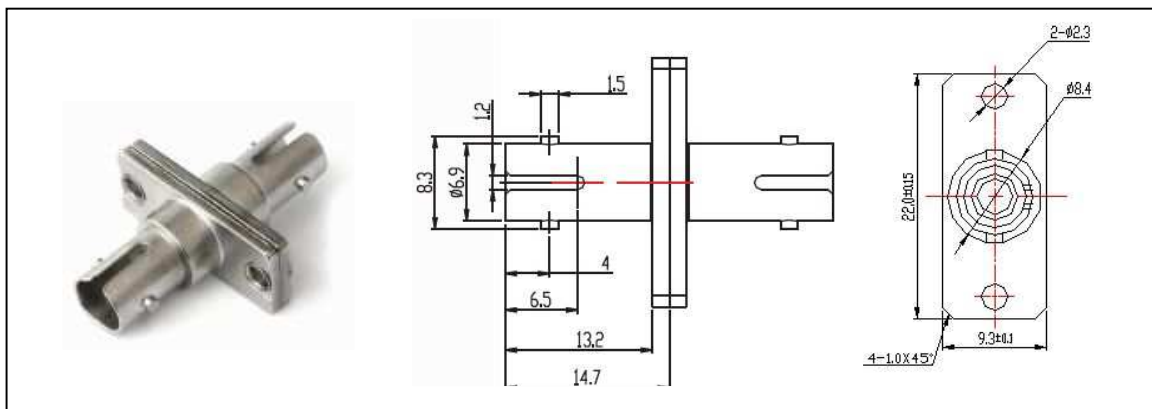


Figure 2 - ST Flange Mount Metal Adaptor



Order Information

Item	Type	Sleeve	Dust Cap Color
ST/SM	Simplex Metal	Ceramic(ZrO2)	Yellow
ST/MM	Simplex Metal	phosphor bronze (PBMM)	Black