



ST Connector Specification



| REV | REV HISTORY | CHKD | APRVD | DATE |
|-----|-------------|------|-------|----------|
| 1 | Initial | TR | MN | 02/10/10 |

Yazaki North America, Inc.
Y-connect Operations
1000 Kreider Dr, Suite 700
Middletown, PA 17057
Tel: 717-944-7144
<http://www.y-connect.com>



Description

Y-Connect ST-compatible connectors have a bayonet-style housing and a long spring-loaded ferrule hold the fiber. They are available in both multi-mode or single-mode versions. Horizontally mounted simplex and duplex adapters are available with metal or plastic housing, with a choice of phosphor bronze or zirconia split sleeve. The ST is one of the older generations of connector, but is still widely used for multimode networks, including LANs for buildings and campuses.

Application

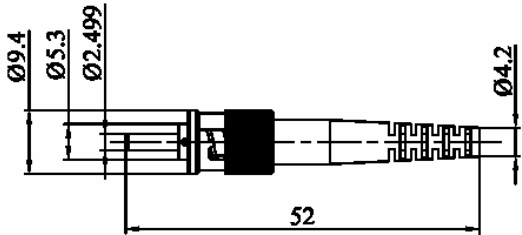
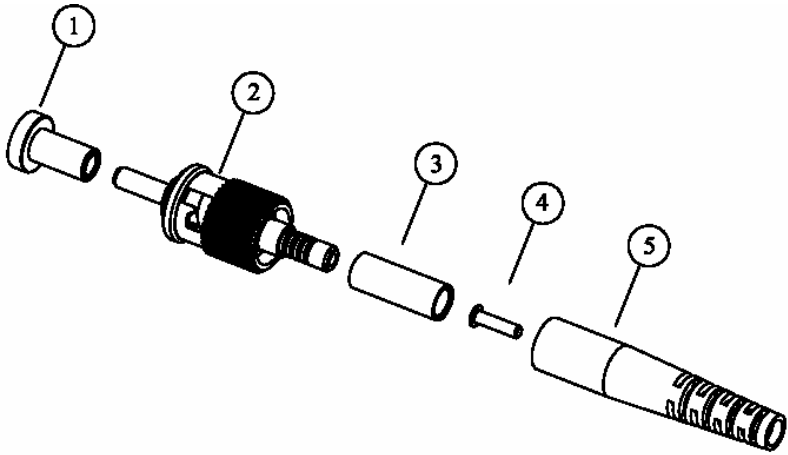
- Telecommunication
- CATV
- LAN & WAN
- Network
- Broadband
- FTTP.

Features

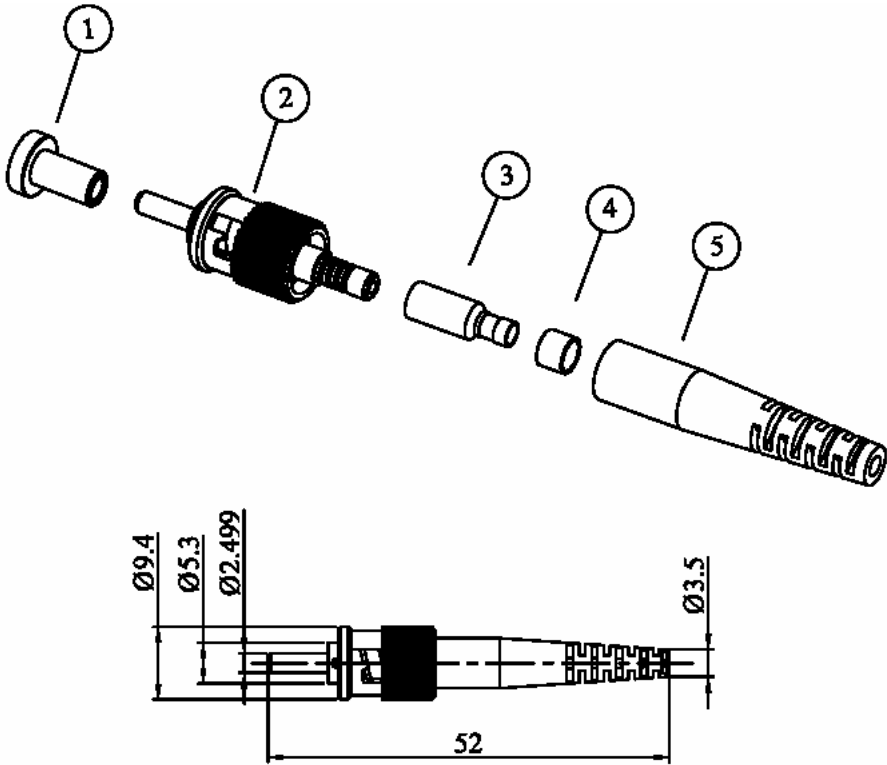
- Coupling nut radial track minimizes the rotation needed to mate the connector
- Coupling body zinc alloy for long life
- Single mode and multimode versions a available
- Compliant with TIA/EIA 568A and Telcordia GR-326
- Compliant with IEC 61754-2
- All parts compliant with ROHS

STANDARD PERFORMANCE

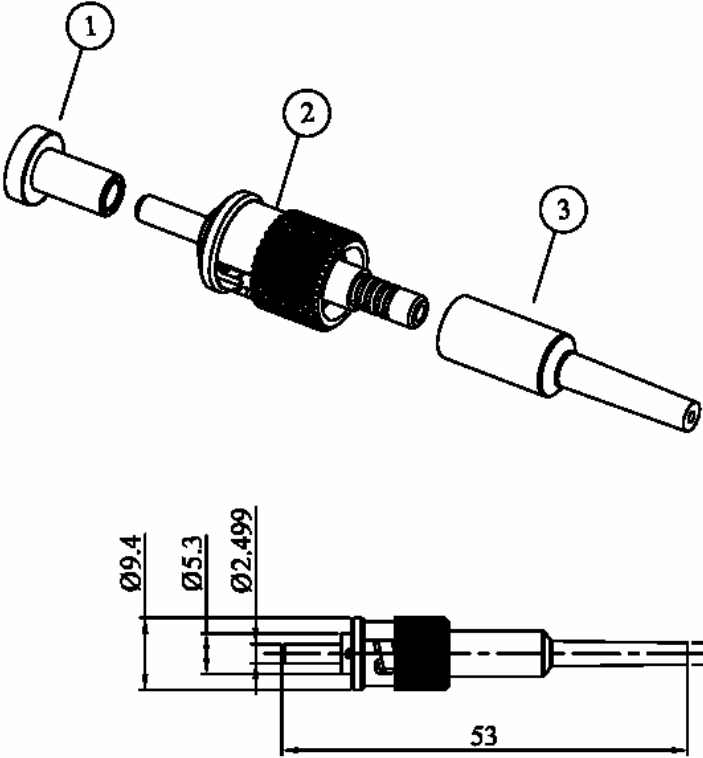
| Item | Parameter | |
|---|---------------|------------|
| | Single-Mode | Multi-Mode |
| Insertion Loss | 0.3dB | |
| Durability | 0.2dB Max | |
| Operating Temperature | -40°C ~ +85°C | |
| Storage Temperature | -40°C ~ +85°C | |
| Remark: Ferrule Concentricity SM< 1um; MM< 4um Ferrule inner diameter tolerance SM125+1/-0um; MM127+3/-0um Ferrule outer diameter tolerance +/-0.5 um | | |



| Description | | ST Connector, "S" Type, 3 mm | | |
|--------------------|--------------------|--|-----------------|-------------|
| P/N | | OG1ST1-a3b1 a Ferrule Hole Diameter and Type b Boot Color | | |
| Item | Description | Qty | Material | Note |
| 1 | Dust Cap | 1 | | |
| 2 | Connector Assembly | 1 | | |
| 3 | Crimp Eyelet | 1 | Metal | |
| 4 | Spacer | 1 | Metal | |
| 5 | Boot | 1 | | |



| | | | | |
|--------------------|--------------------|--|-----------------|-------------|
| Description | | ST Connector, "R" Type, 2 mm | | |
| P/N | | OG1ST3-<u>a</u>1<u>b</u>1 a Ferrule Hole Diameter and Type b Boot Color | | |
| Item | Description | Qty | Material | Note |
| 1 | Dust Cap | 1 | | |
| 2 | Connector Assembly | 1 | | |
| 3 | Crimp Eyelet | 1 | Metal | |
| 4 | Crimp Ring | 1 | Metal | |
| 5 | Boot | 1 | | |



| | | | | |
|--------------------|--|------------|-----------------|-------------|
| Description | ST Connector, 900µm | | | |
| P/N | P/N OG1ST1-<u>a</u>4<u>b</u>1 a Ferrule Hole Diameter and Type b Boot Color | | | |
| Item | Description | Qty | Material | Note |
| 1 | Dust Cap | 1 | | |
| 2 | Connector Assembly | 1 | | |
| 3 | Boot | 1 | | |



| Part Number Key | | | |
|---------------------------------------|----------------------------|-------------------|--------------|
| Ferrule Hole Diameter and Type | | Boot Color | |
| A | 125.5µm, Singlemode | B | Blue |
| B | 125µm, Singlemode | B | Blue |
| C | 126µm, Singlemode | B | Blue |
| E | 127µm, Multimode | W | White |
| H | 126µm, Stepped, APC | G | Green |